

4

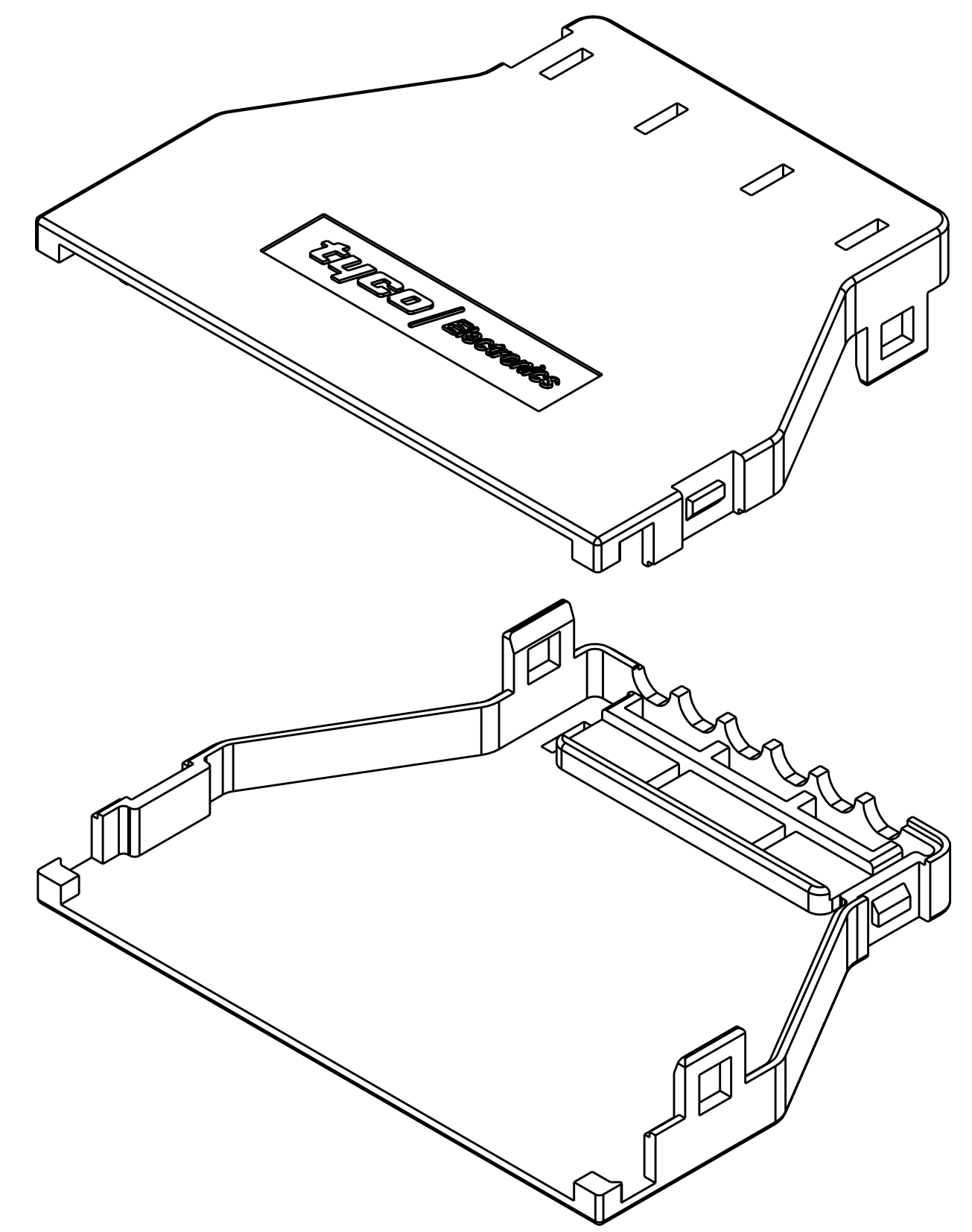
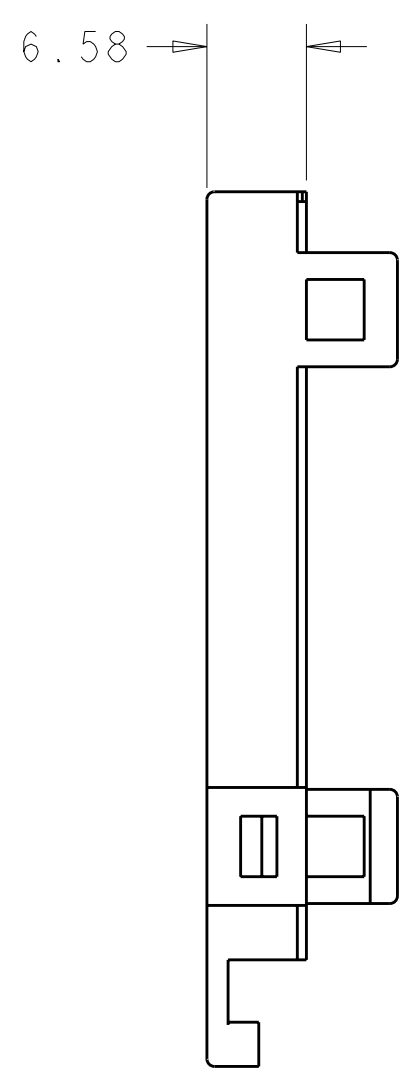
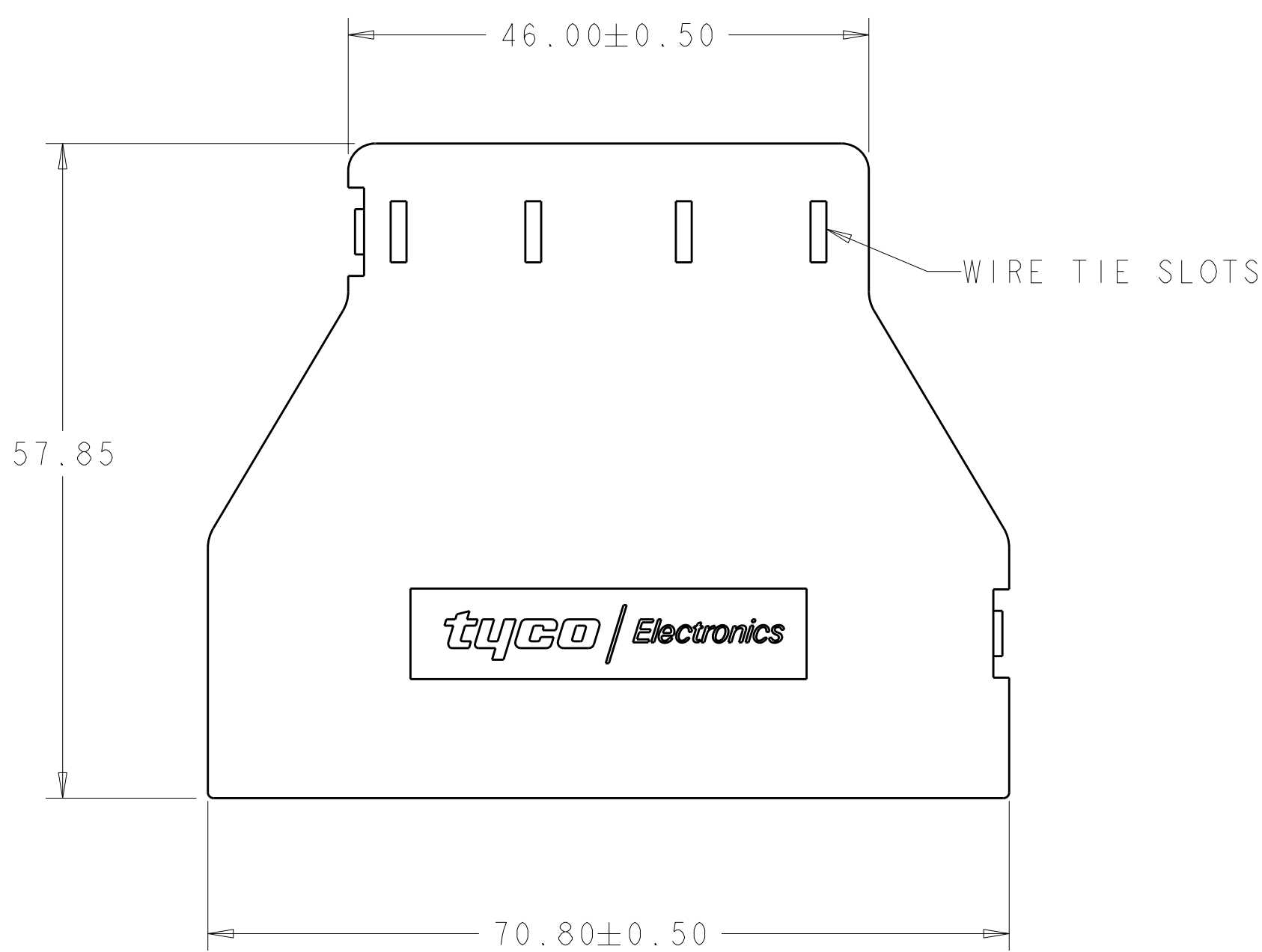
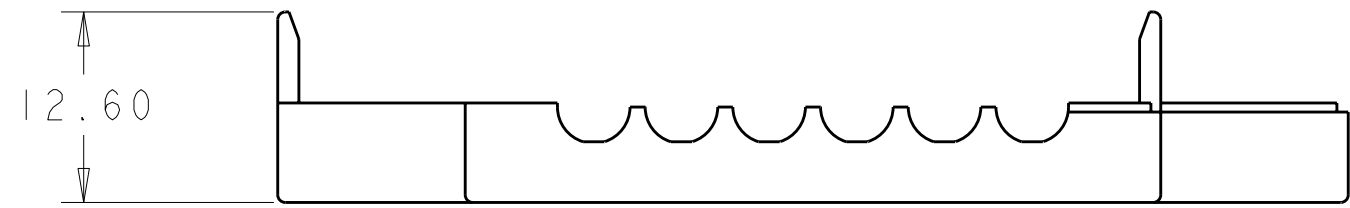
3

2

1

THIS DRAWING IS UNPUBLISHED. RELEASED FOR PUBLICATION 20
 © COPYRIGHT 20 BY TYCO ELECTRONICS CORPORATION. ALL RIGHTS RESERVED.

LOC		DIST		REVISIONS			
P	LTR	DESCRIPTION	DATE	DWN	APVD		
	A	RELEASED ECO-06-012113	24MAY2006	SW	GS		
	B	REVISED ECO-07-000257	05JAN2007	SW	GS		



1. POLYESTER, UL 94V-0 RATED, COLOR: BLACK.
2. PART CONSISTS OF TWO (2) UNASSEMBLED STRAIN RELIEF HALVES.
3. PARTS ARE BULK PACKED.
4. ACCOMODATES 10-16 AWG WIRE.
5. USED ON D5200 DYNAMIC RECEPTACLE HOUSING.

1776695-1
 PART NUMBER

<small>THIS DRAWING IS A CONTROLLED DOCUMENT FOR TYCO ELECTRONICS CORPORATION. IT IS SUBJECT TO CHANGE AND THE CONTROLLING ENGINEERING ORGANIZATION SHOULD BE CONTACTED FOR THE LATEST REVISION.</small>		DWN S. WELDON 24MAY2006 CHK G. STEINHAUER 24MAY2006 APVD G. STEINHAUER 24MAY2006	tyco Electronics Tyco Electronics Harrisburg, PA 17105-3608
DIMENSIONS: mm 	TOLERANCES UNLESS OTHERWISE SPECIFIED: 0 PLC ± 1 PLC ±0.5 2 PLC ±0.13 3 PLC ±0.013 4 PLC ±0.0001 ANGLES ± FINISH	PRODUCT SPEC APPLICATION SPEC WEIGHT CUSTOMER DRAWING	NAME STRAIN RELIEF, 6 POSITION, D5200 DYNAMIC SIZE CAGE CODE DRAWING NO RESTRICTED TO A200779 C-1776695 -
MATERIAL -		SCALE 2:1	SHEET 1 OF 1 REV B